

# Installation Instructions

## Model: LED Linear Light

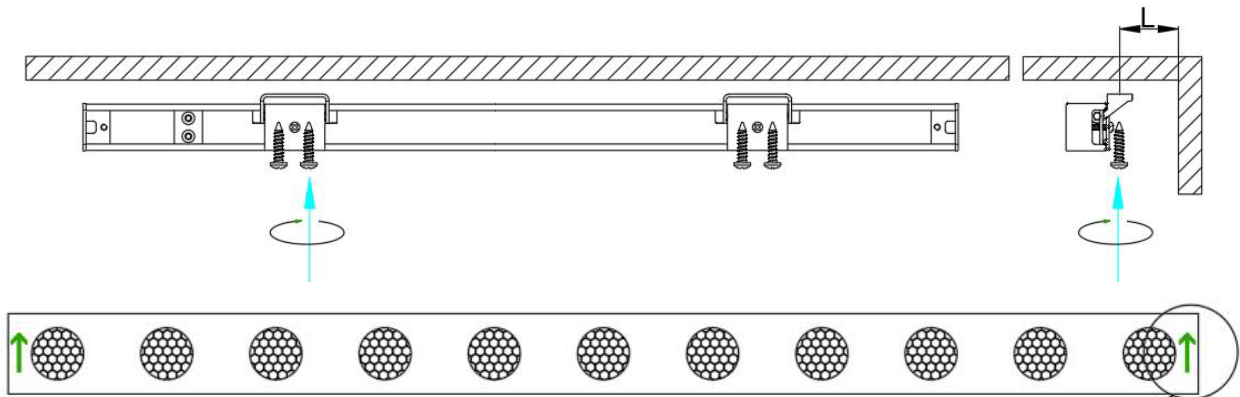
---

### Precautions:

1. Please read all instructions and installation precautions carefully.
2. For indoor use only (not suitable for damp locations).
3. Installation and testing of the luminaire must be performed by qualified professionals.
4. Disconnect the power supply before installation to prevent electric shock.
5. Retain this manual for future reference.

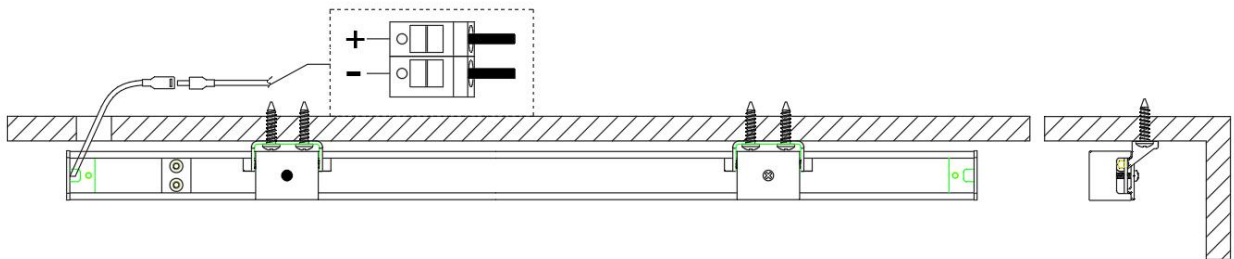
### Installation:

1. The luminaire should have a setback from wall of 150 mm - 300 mm. Secure the bracket to the ceiling with locking screws as illustrated. For multiple brackets, distribute them evenly along the luminaire body.

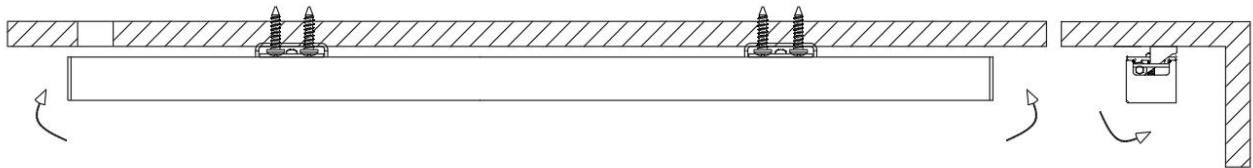


Note the installation direction: the arrow points toward the wall

2. Connect the power cord to the terminal block according to the labeling. Note: Do not connect to high voltage without a driver.



3. After fixing the bracket, rotate the luminaire body by 90° to complete installation.



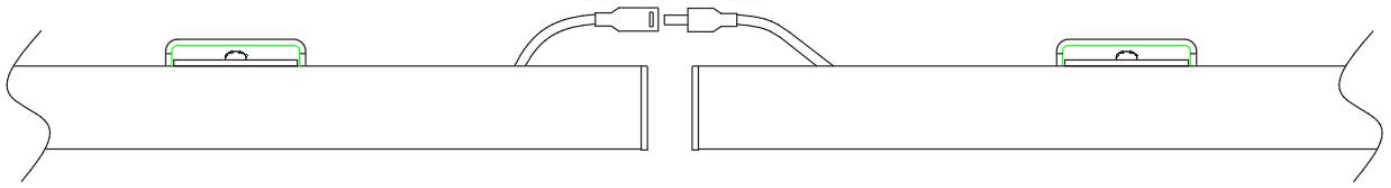
## Installation Instructions

### Model: LED Linear Light

---

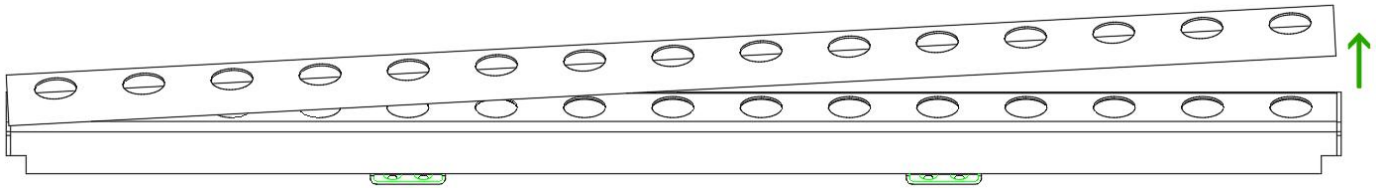
4. Luminaire Connection: Connect two light source modules using the male and female power cords.

Mate male and female plugs

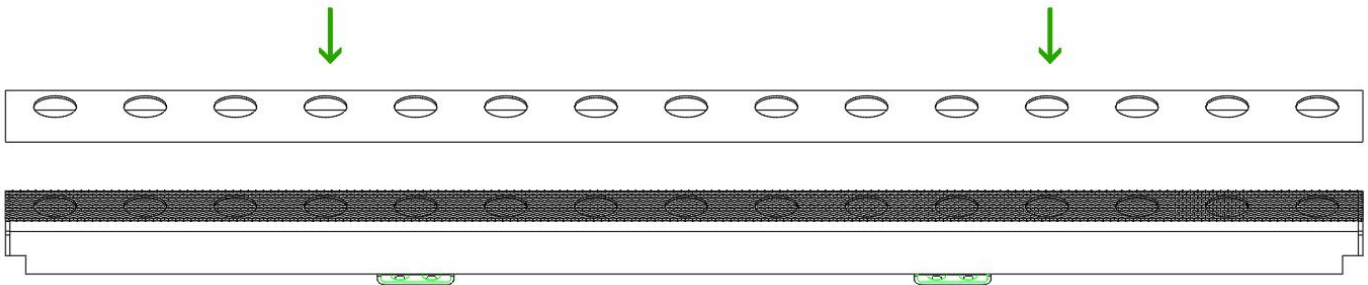


5. If the luminaire is equipped with a honeycomb louver, install as illustrated:

- (1) Lift the face cover from one edge.



- (2) Insert the honeycomb louver into the luminaire body, align all edges properly, and snap the face cover down.



- (3) Check that the face cover is securely fastened to complete installation.

